

G4F

SHUT-OFF VALVE WITH THERMAL SAFETY DEVICE FLANGED VERSION

Data sheet
MCTW030.00 - 04/2019



G4F ball valves are EN331 DVGW certified, and are designed and built to ensure the utmost safety of gas systems. They have FIREBAG® thermally activated safety devices. The range includes both threaded and flanged versions.



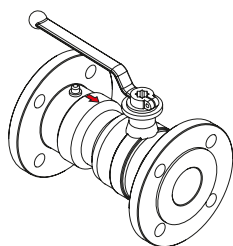
Material					
Body	Finish	Balls	Seats	Lever	FIREBAG®
Cast Iron	Anodized	Chrome plated steel	Teflon	Aluminium	Thermo safety device, valve inlet side

TECHNICAL SPECIFICATIONS

Reference standards	Working pressure	Working temperature	High temperature resistance	Application	FIREBAG® trip temperature
DIN EN 13774 - DIN 3586 - EN 1092-2 EU/2016/426 gas appliances regulation PED2014/68/EU directive DVGW G 5614 (version UNIPRESS®)	MOP 16 (16 bar)	-20 °C +60 °C	HTB 650 °C for 30' (GT5) **HTB 650 °C for 30' (GT16)	For all types of gas as specified in EN 437 and DWG G260/1 (Methane, Butane, Propane)	100°C - 5K

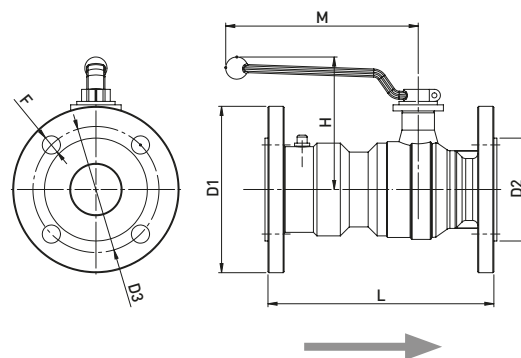
VERSIONS AND CODES

Flanged valve DIN EN 1092



i

The HTB 650°C for 30' (GT16) seal is only guaranteed for 30' if the MS2 assembly kit is used.



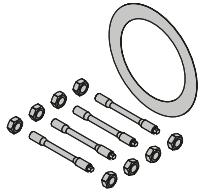
Code	DN	FIREBAG® TAE	D1	D2	D3	F	L	H	M	Pack
G4TF0250	25	•	115	68	85	14	160	114	165	1
G4TF0320	32	•	140	80	100	18	180	125	165	1
G4TF0400	40	•	150	90	110	18	200	136	185	1
G4TF0500	50	•	165	105	125	18	230	143	185	1
G4TF0650	65	•	185	125	145	18	290	158	230	1
G4TF0800	80	•	200	140	160	18	310	186	360	1
G4TF1000	100	•	220	160	180	18	350	203	360	1
G4TF1250	125	•	250	190	210	18	400	223	360	1
G4TF1500	150	•	285	216	240	22	480	230	625	1

TECO Srl
Via Sandro Pertini, 39/41 - Zona industriale Noccole, 25050 Provaglio d'Iseo (BS)

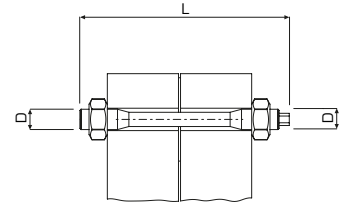
+39 030 6850510 | +39 030 6850555
info@tecosrl.it | www.tecosrl.it



MS2 flange assembly kit



HTB 650°C for 30' (GT16)



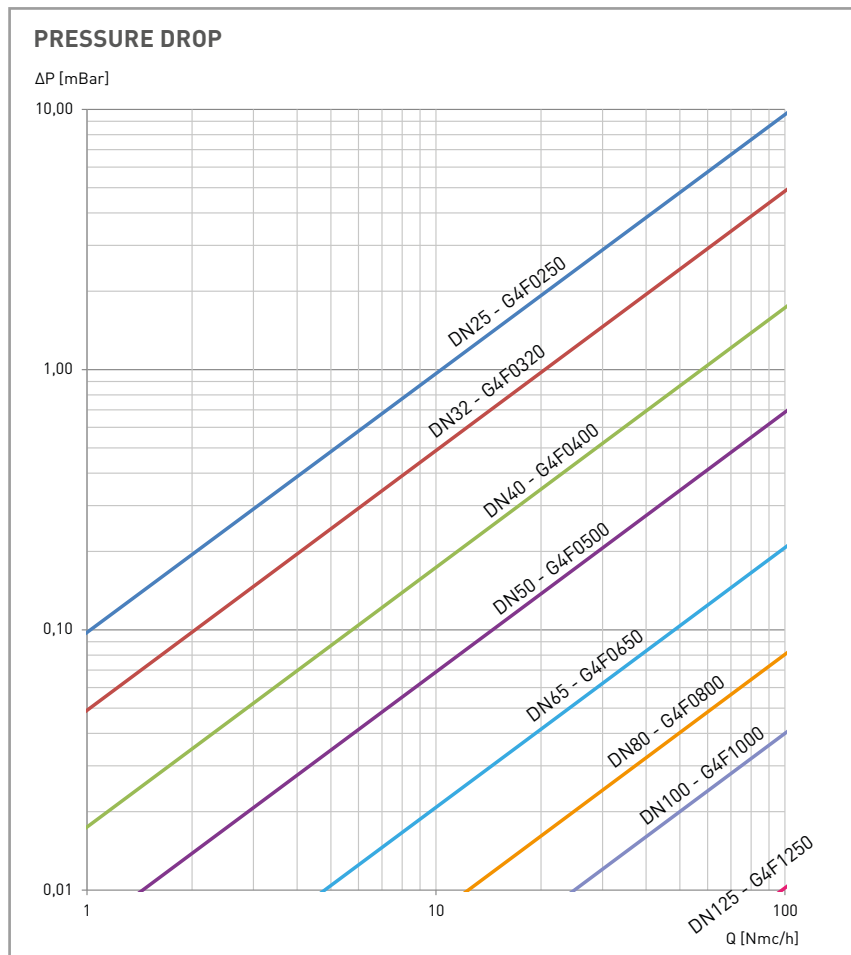
Code	DN
MS2025	25
MS2032	32
MS2040	40
MS2050	50
MS2065	65

Code	DN
MS2080	80
MS2100	100
MS2125	125
MS2150	150

OPERATION AND TECHNOLOGIES

FIREBAG® - TAE

G4F valves have a FIREBAG® thermal safety device built into the steel inlet fitting. FIREBAG® complies with the requirements of the DIN 3586 standard and activates at a temperature of 100°C -5K and withstands up to 650°C for 30 minutes at a pressure of 16 bar (using the MS2 flange assembly kit).



ITEM SPECIFICATIONS

G4F: Shut-off valve

Ball valves for systems, certified in accordance with the EN 331 DVGW standard, with lever. FIREBAG® thermal safety device (DIN 3586) built into the inlet with HTB resistance in the event of fire.

Straight versions, threaded (MOP5) or flanged (MOP16) connection. Working temperature -20°C + 60°C. MOP 5 / MOP16. High-temperature resistance HTB 650° for 30' (EN1775).



TECO Srl
Via Sandro Pertini, 39/41 - Zona industriale Noccole, 25050 Provaglio d'Iseo (BS)

+39 030 6850510 | +39 030 6850555
info@tecosrl.it | www.tecosrl.it

