

# T4 PUNTO BLU®

SHUT-OFF VALVE WITH FLOW REDUCTION DEVICE

Data sheet  
MCTW014.00 - 05/2019



T4 Punto Blu is a shut-off valve capable of fully open, fully closed and reduced flow positions.

Single-piece body.

Designed for to meet the needs of water supply companies that must intervene on customers in arrears quickly and economically.



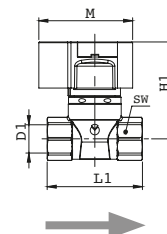
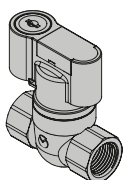
Material		
Body	Control	Balls
Brass CW617	Polyamide	Technopolymer

## TECHNICAL SPECIFICATIONS

Connections	Working pressure	Temperature	Standard and certification
Threaded F.	PN10 ( 10 bar )	0°C +95 °C	DIN EN 13828 (KTW-W270) DVGW

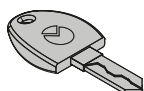
## VERSIONS AND CODES

T4 PUNTO BLU threaded



Code	DN	D1	L	H1	M	SW	Q L/min.	Pack
T403S11000	15	Rp1/2"	63	64	62	27	0,32	10
T404S11000	20	Rp3/4"	73	67	62	32	0,32	10

Key for security lock



Code	Pack
KY5000	1



Security keys are only supplied to authorised personnel.

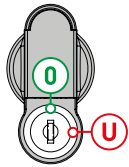
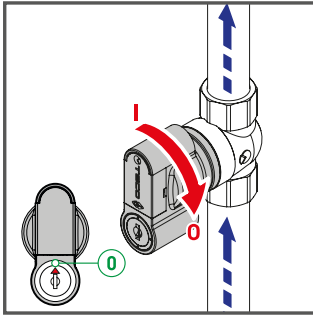
TECO Srl  
Via Sandro Pertini, 39/41 - Zona industriale Noccole, 25050 Provaglio d'Iseo (BS)

+39 030 6850510 | +39 030 6850555  
info@tecosrl.it | [www.tecosrl.it](http://www.tecosrl.it)



## OPERATION AND TECHNOLOGIES

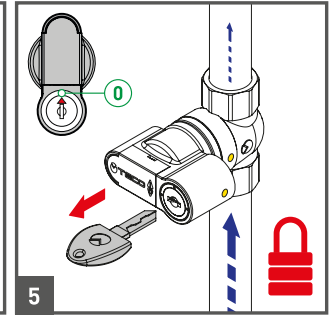
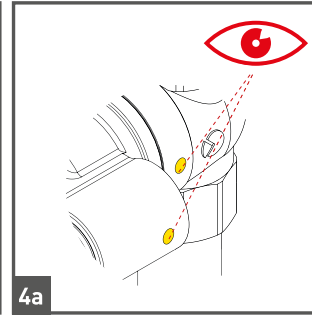
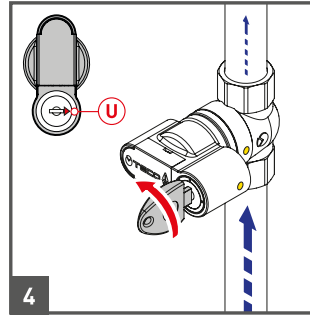
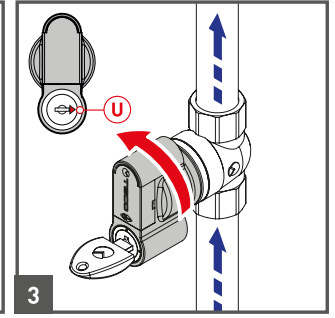
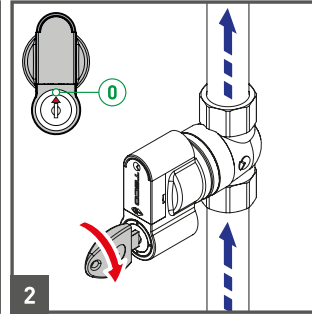
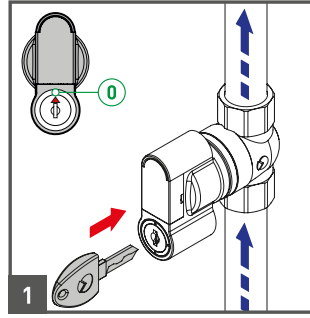
### Main shut-off



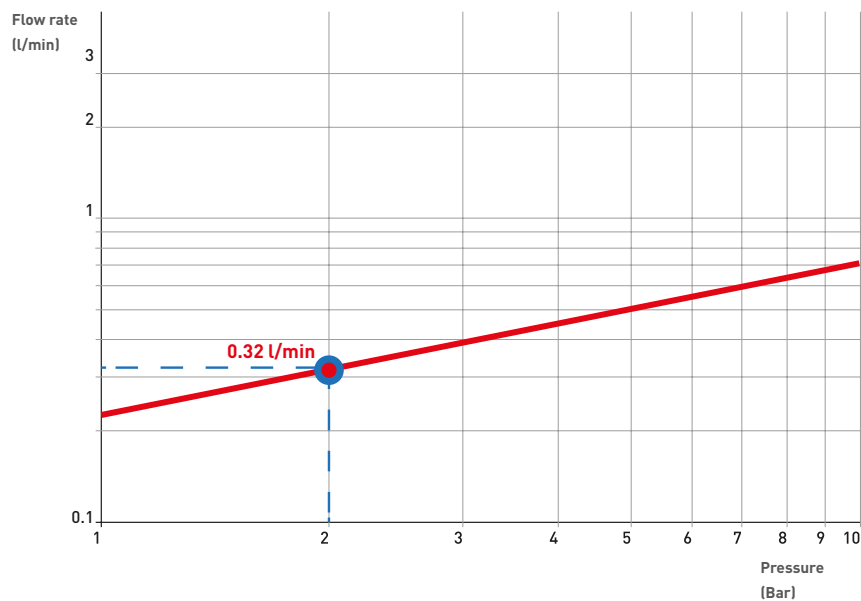
0 Key insert and removal position.

U Unlock the reduced flow position.

### Low flow rate



## FLOW-RATE GUARANTEED WITH FLOW REDUCTION



## ITEM SPECIFICATIONS

### T4 PUNTO BLU: Shut-off valve with flow reduction device

Shut-off valve capable of fully open, fully closed and reduced flow positions using a key selector on the handle. Complies with the EN 13828 standard. 90 degree control for fully open and closed, and 180° for the reduced flow position without the need to remove the handle.

Temperature range 0-95°C.

Maximum pressure PN 10.

