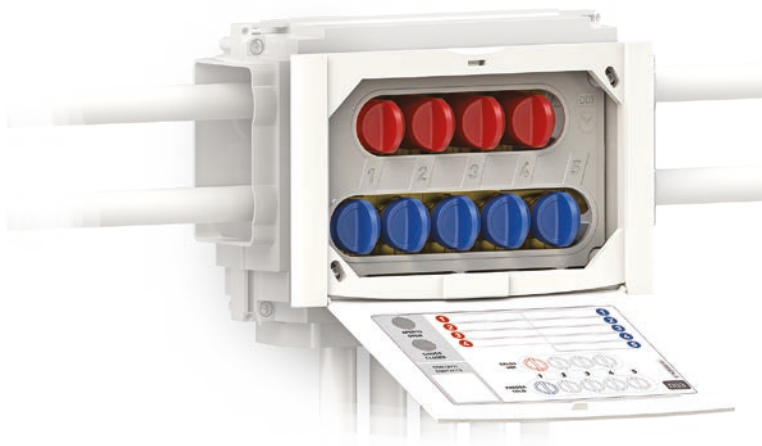


K4.3

MULTIPLE SHUT-OFF MANIFOLD



- K4.3 compact distribution manifold
- Shut-off valves on the individual outlets so there is no need for valves under the basin
- With flush-mounting, serviceable Sandwich box
- The FASTEC® connection is convenient and safe to work with, and does not require maintenance
- The faceplates allow full access to the manifold
- The faceplate Design and finishes are suitable for exposed installation
- TOP-ENTRY® removable shut-off unit with Soft Turn® full-flow anti-jamming balls



Material			
Body	Sandwich Box	Balls	Handle
Brass CW617	ABS	Silicone	Polyamide

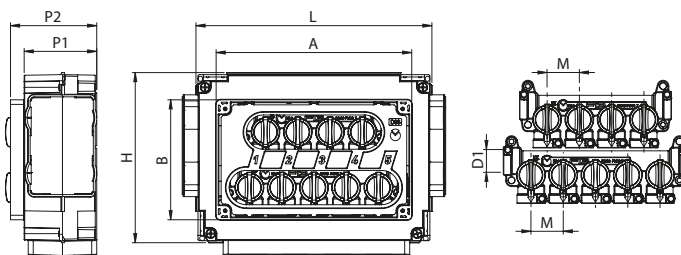
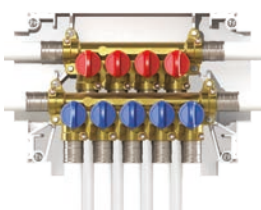
TECHNICAL SPECIFICATIONS

Connections	Working pressure	Temperature	Standard and certification
FASTEC®	PN10 (10 bar)	0°C + 95 °C	DIN EN 13828 - DVGW W570-1

VERSIONS AND CODES

Multiple shut-off manifold for domestic water systems*

D03 Compatible faceplate



Code	DN	Outlets	D1	M	L	H	P1	P2	A	B	Pack
F K403DF10100	10	5 + 4	F13	32	234	170	72	85	194	119	5
F K403DF10200	10	4 + 3	F13	32	234	170	72	85	194	119	5

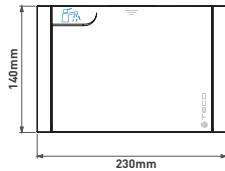
* Includes: fixing brackets, site protection cover. Does not include: faceplate and fittings.



The shut-off devices USE FASTEC® STORE FITTINGS.

FACEPLATES

D03



Code		Finish	Pack
KPLD0301600		White	5
KPLD0301M00		Polished chrome	1
KPLD0301800		Silver	1
KPLD0301A00		Black	1

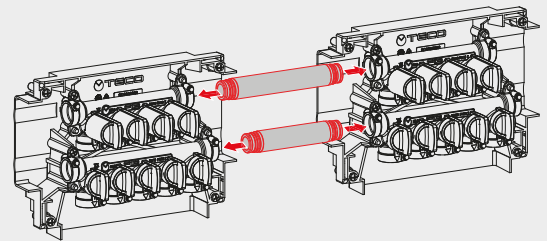
FUNCTION AND TECHNOLOGIES



CONNECTION KIT

The FASTEC® kit provides the plumbing connections for 2 manifolds, giving up to 10+8 outlets with individual shut-off valves. The performance of the individual manifold outlets remain almost unaffected.

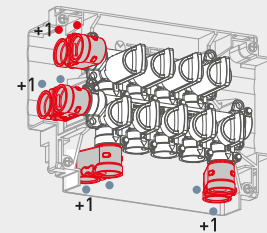
COD. KA00K00007



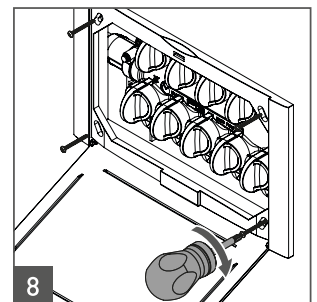
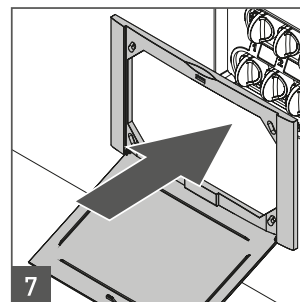
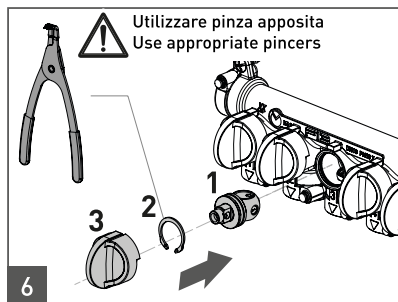
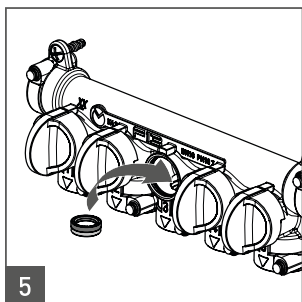
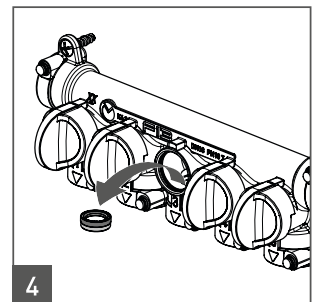
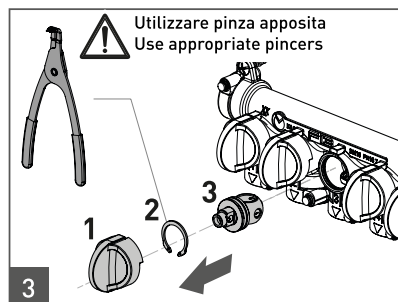
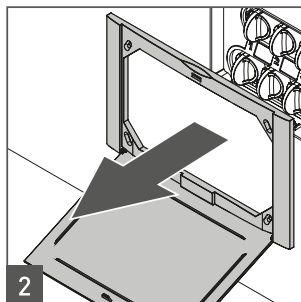
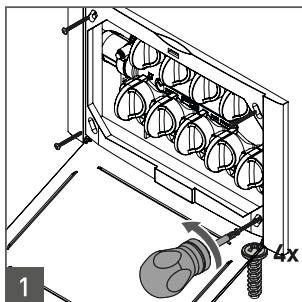
TWIN 1 FITTING

Fastec® Twin fittings make it possible to increase the number of connections. In this way you can simplify complex system solutions.

COD. KA00F10001



TECO CONTROL - MAINTENANCE

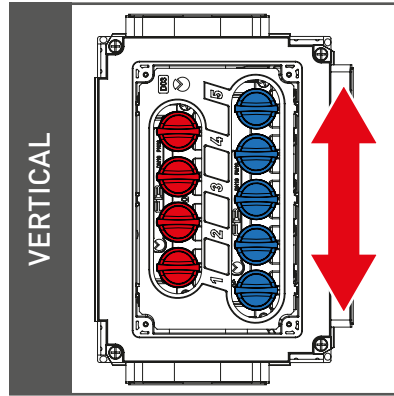
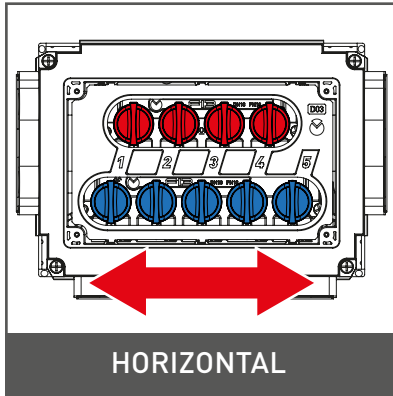


TECO Srl
Via Sandro Pertini, 39/41 - Zona industriale Noccole, 25050 Provaglio d'Iseo (BS)

+39 030 6850510 | +39 030 6850555
info@tecosrl.it | www.tecosrl.it



INSTALLATION POSITION

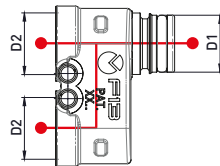


FASTEC ACCESSORIES

TWIN 1 fitting

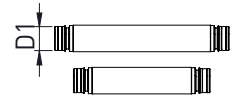
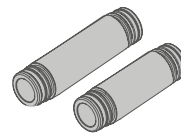


TWIN fitting
Fastec® connection



	Code	D1	D2	Pack
F	KA00F10001	F13M	2xF13F	10

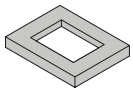
Connection kit



	Code	D1	Pack
F	KA00K00007	F13M	5

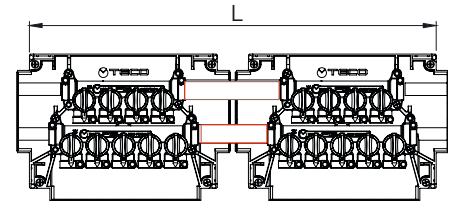
ACCESSORIES

Maintenance frame



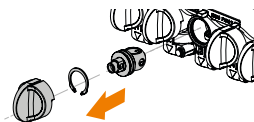
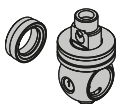
THE MAINTENANCE FRAME IS USED WHEN THE BOX IS INSTALLED INCORRECTLY AND PROTRUDES FROM THE WALL

	Code	DN	Pack
	KRPL0005	250x160x20 mm	1



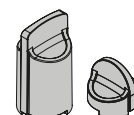
SPARE PARTS

TECO control kit



	Code	DN	Pack
	KR00K00002	10	1

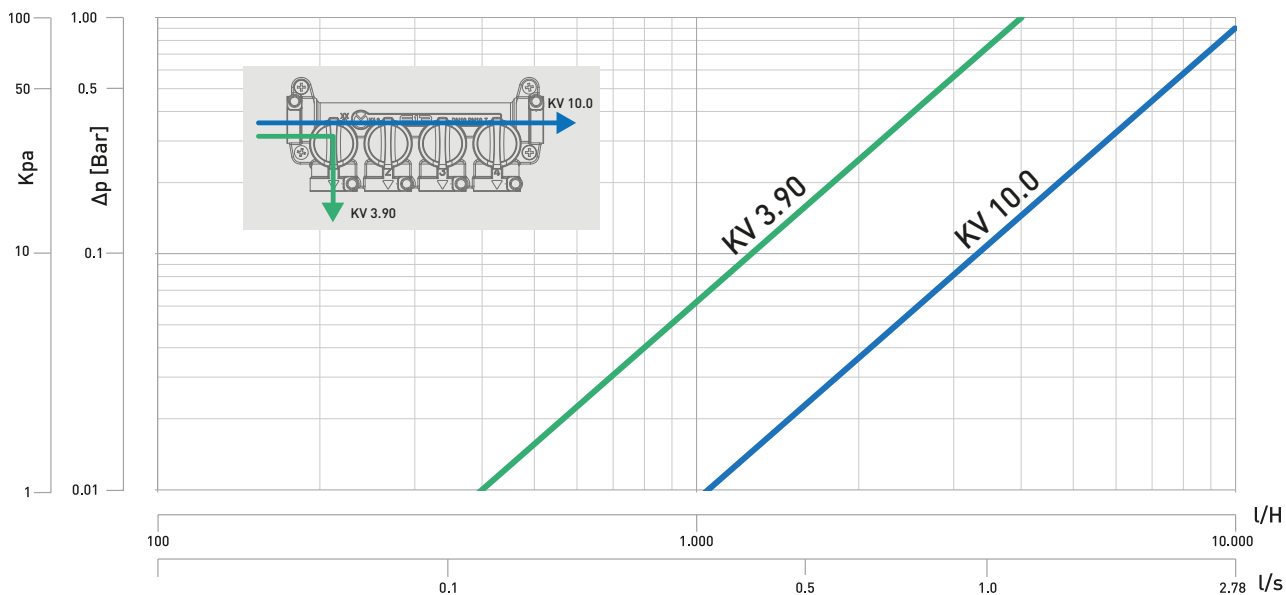
Handle kit



Control handle KIT (2)

	Code	Colour	Pack
	KA00K40004	BLUE / RED	1

PRESSURE DROP DIAGRAM



ITEM SPECIFICATIONS

K4.3: Multiple shut-off manifold

Compact pre-assembled distribution manifold kit with 6+5 outlets (K403DF10100) or 4+3 outlets (K403DF10200), brass body with Top Entry removable shut-off valves (5 cold + 4 hot) on each outlet in accordance with the EN 13828 standard, with "soft turn" seals and PPSU full-flow balls. Quick coupling fittings with FASTEC F13 technology and locking pin. Sandwich box housing made of impact-resistant PS, with plaster protection cover. Manually openable faceplate, available in three colours.

Maximum temperature (peak) 95°C.

Maximum working temperature 70°C.

Maximum pressure 10 bar.

