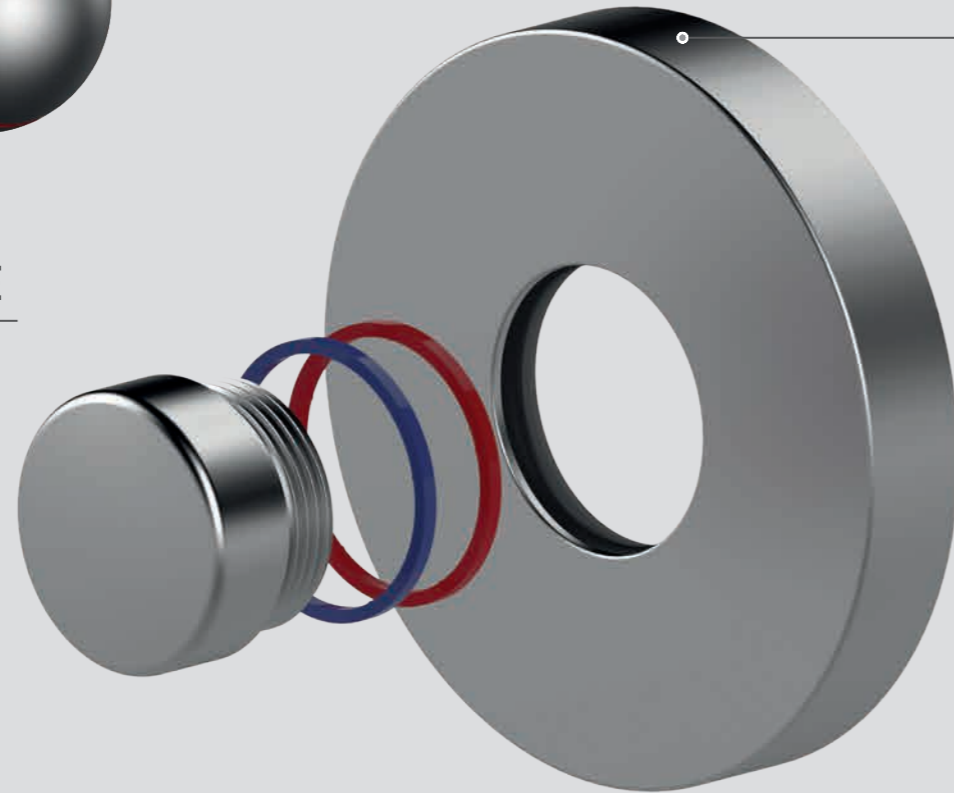


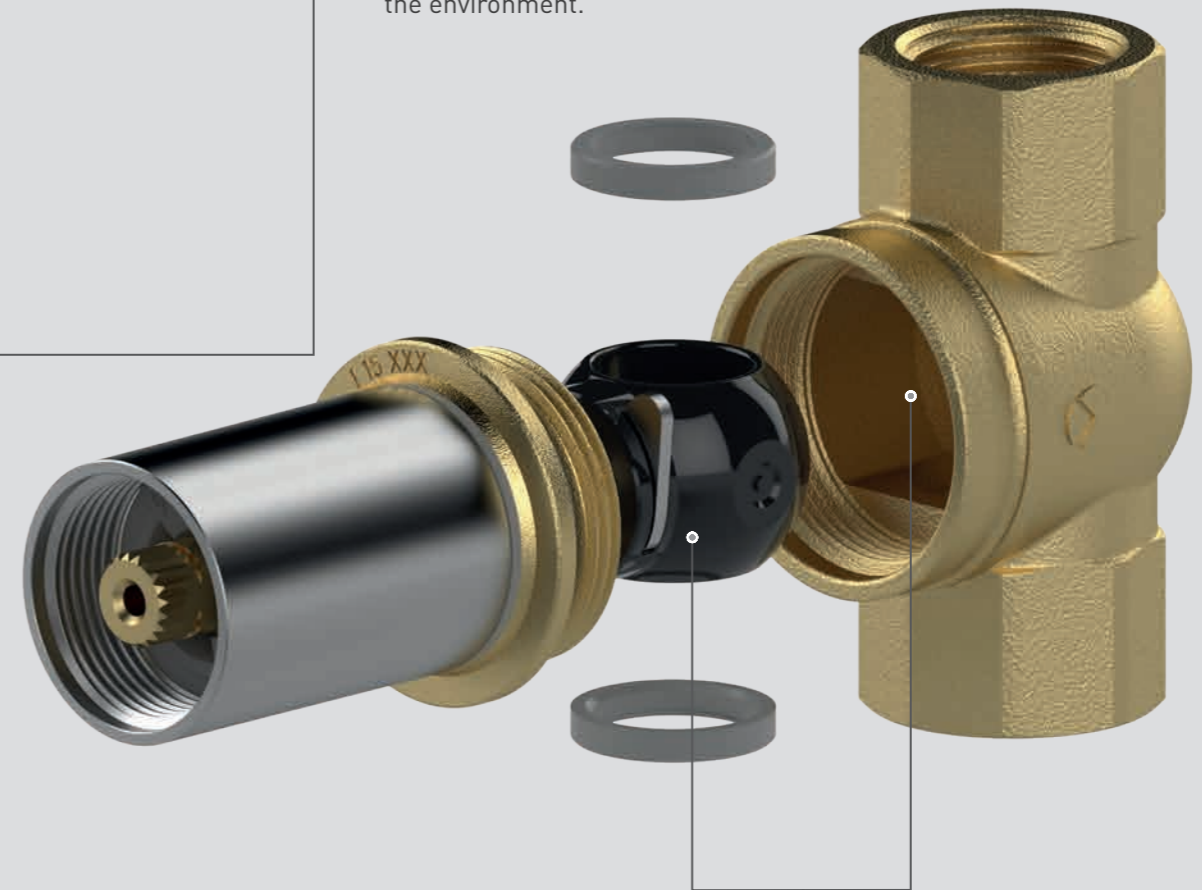
VERSION FOR PP-R PIPE



ACCESSORIES

The wide range of accessories in different finishes offers many possible solutions that integrate into the design of the environment.

INNOVATIVE DESIGN



TOP-ENTRY

With the Top Entry system, the ball is fully removable and spare parts have been available for more than 30 years. (see page 36)



SOFT TURN

Shut-off valve, 90° closure with anti-jamming engineered polymer ball. (see page 37)



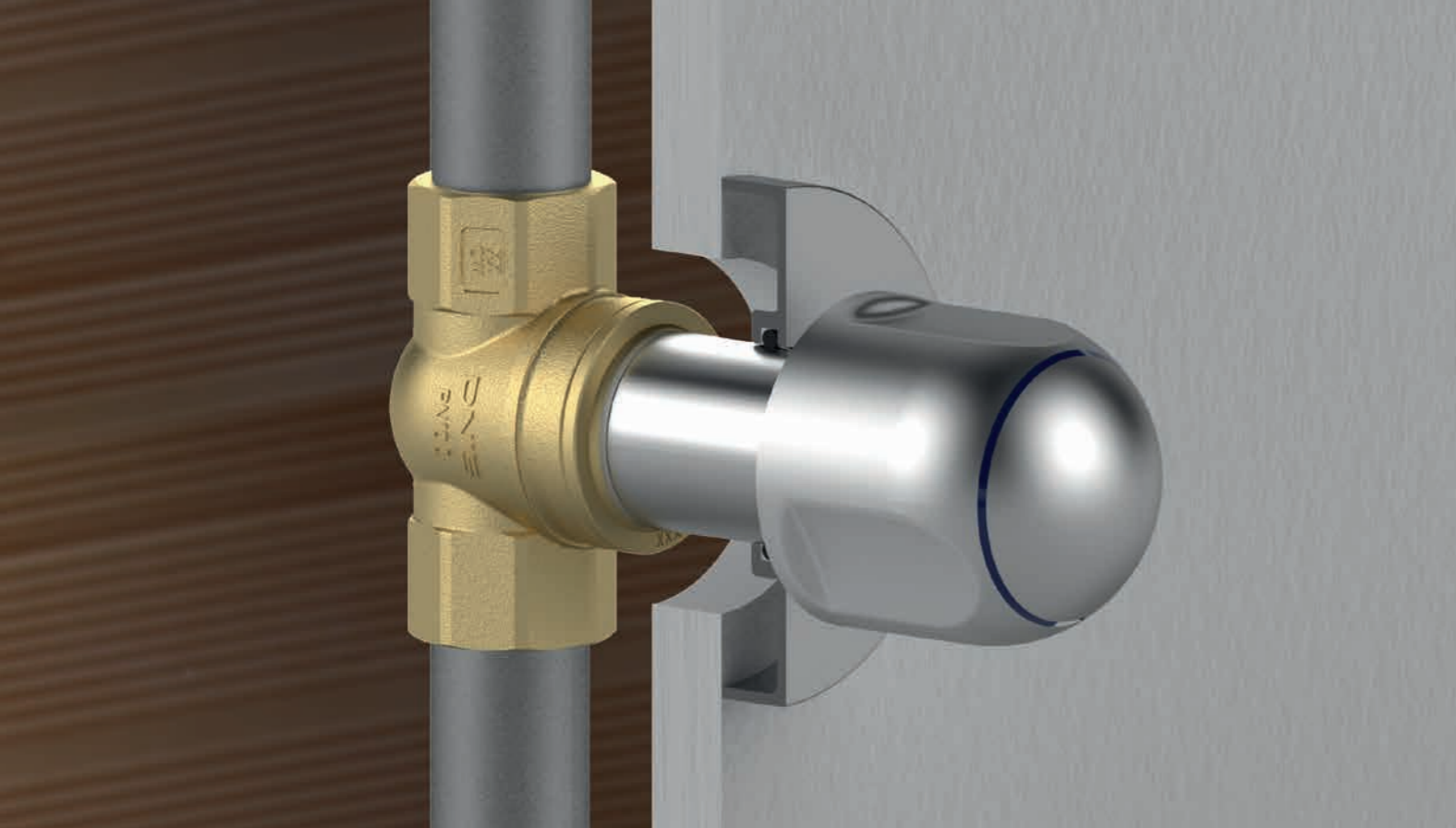
CERTIFICATIONS AND TECHNICAL SPECIFICATIONS

Reference standard for Metal Materials	DIN EN 13828 DVGW W570-1
Working pressure	PN10 (10 bar)
Temperature	0 °C + 95 °C



HIGH PERFORMANCE

The TECO solution with effective flow and installation in accordance with the EN 806-2 standard. (see page 37)



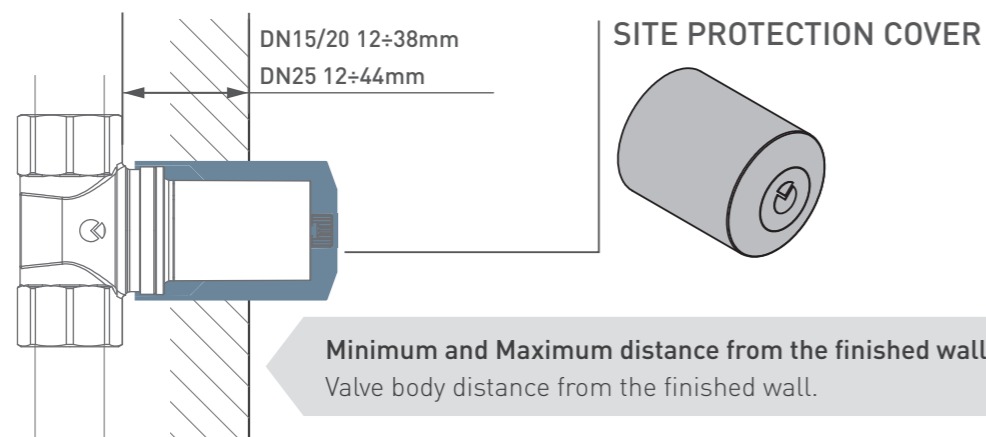
164

PRACTICAL TO INSTALL

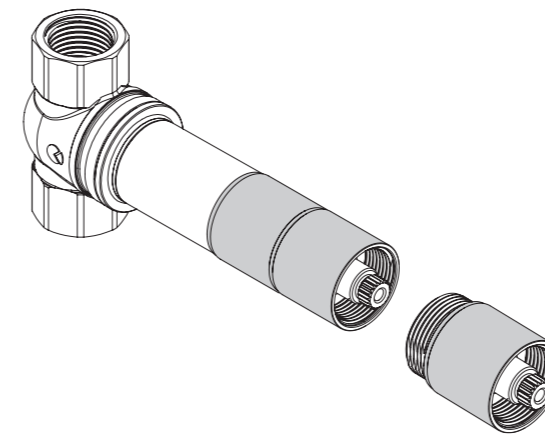
BENEFITS

The site protection cover ensures full installation freedom:

- site plaster protection cover is easy to remove;
- the rosette also covers any imperfections in the cladding finish.

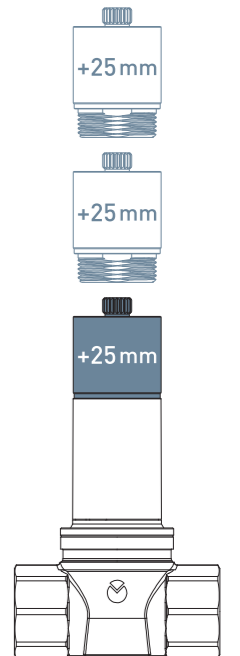


MODULAR EXTENSION KIT



The extension kit is used whenever it is necessary to extend the operating control of the shut-off cock [+25mm]. The kit is modular, so the cock control can be extended to the optimal position.

EXTENSION KIT 25mm
CODE I4095000

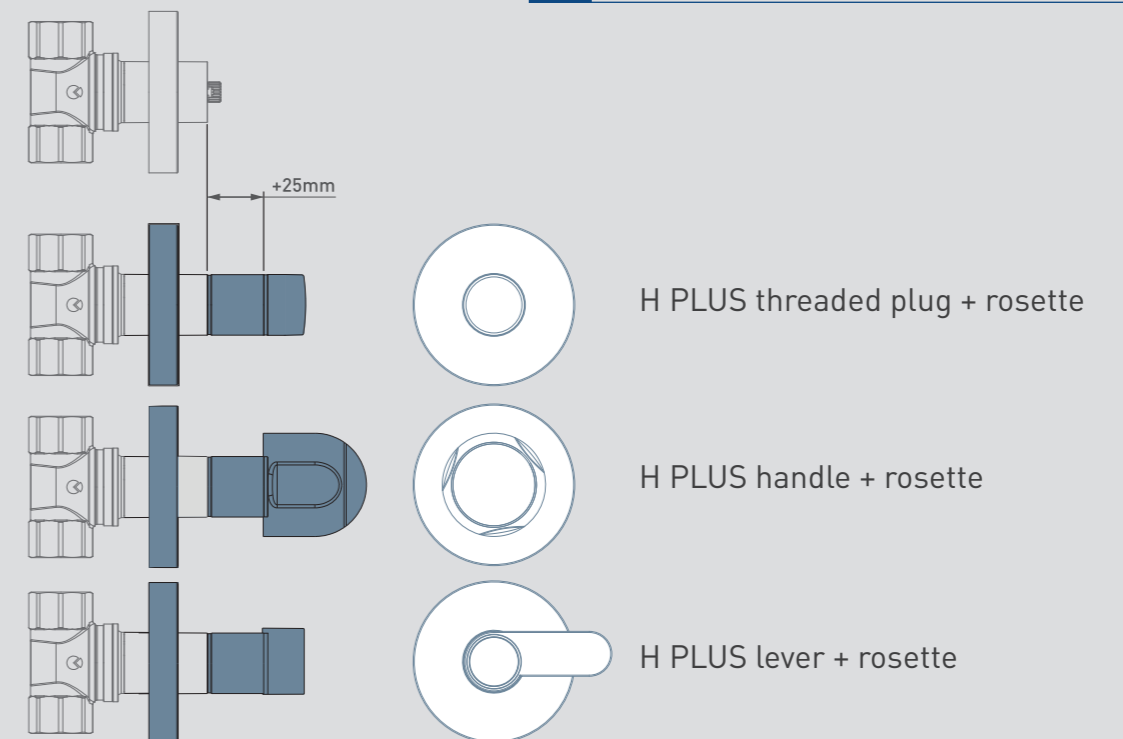


H-PLUS ACCESSORIES

If the cock has to be installed in walls with a thicker cladding, the H-PLUS version offers control accessories that are +25mm longer than for the standard version.



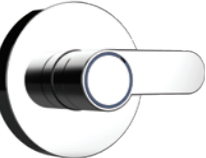
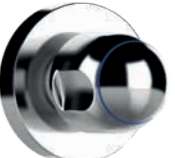

H-PLUS ACCESSORIES can be extended further. The H-PLUS ACCESSORIES are normally used in GERMANY, AUSTRIA, SWITZERLAND and ARAB COUNTRIES.

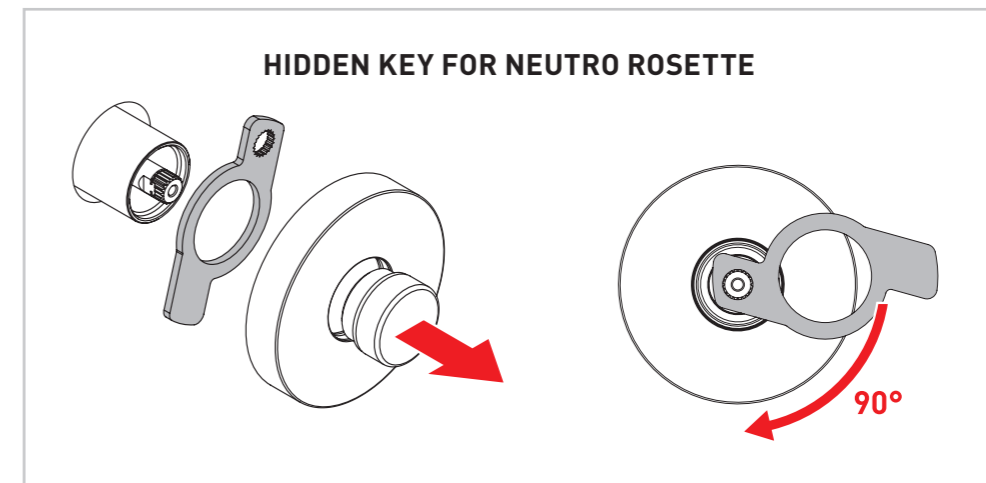


164

TOP-ENTRY



DEVICES						CONTROL ACCESSORIES	
164 THREADED	DN	CODE	CONNECTIONS			EXTERNAL CHROME CONTROL LEVER  CODE KAI4020000	
			1/2" EN 10226	3/4" EN 10226	1" EN 10226		
			15	I4T3911100	•		
20	I4T4911100		•				
25	I4T5911100			•			
164 PP-R	DN	CODE	PP-R Ø20	PP-R Ø25	PP-R Ø32	EXTERNAL CHROME CONTROL HANDLE  CODE KAI4030000	
			15	I403981V00 •			
			15	I403982V00 •		•	
			20	I404981V00 •			•
			15	I403981B00 •			
			15	I403982B00 •		•	
			20	I404981B00 •			•
					CHROME NEUTRO ROSETTE WITH KEY  CODE KAI4010000		

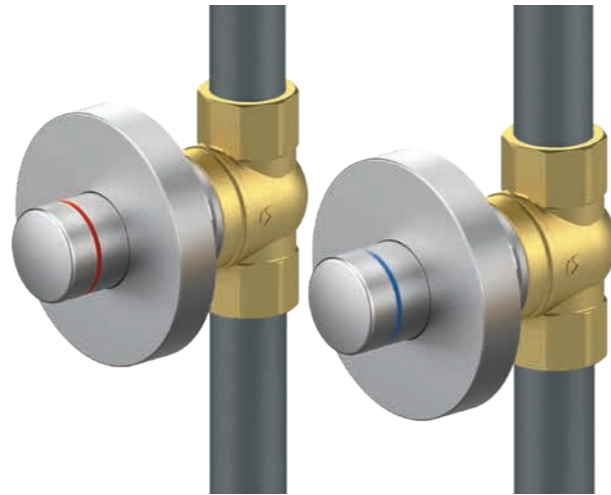


FLUSH-MOUNTING
COCK

164

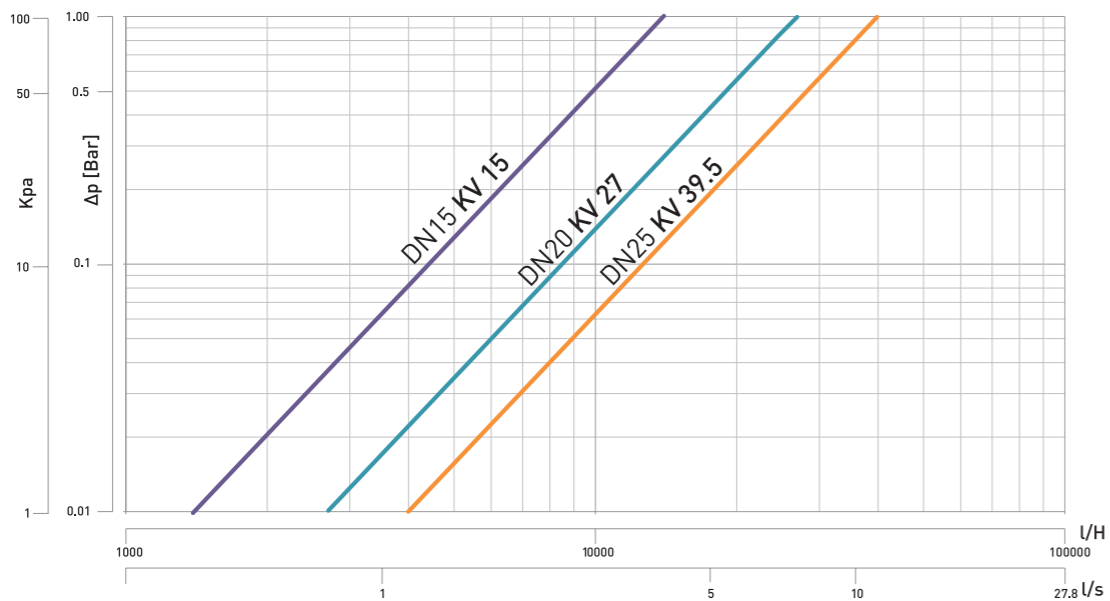
TOP-ENTRY SHUT-OFF COCK

- 164 is a compact shut-off cock
- Full flow, in accordance with the EN 806-2 standard
- Top-Entry removable shut-off valve with Soft Turn full-flow anti-jamming balls



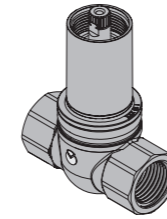
SPECIFICATIONS			TECHNOLOGIES		DESIGN FEATURES	
Material	Body	Brass CW617	HIGH PERFORMANCE	SOFT TURN	CERTIFIED PRODUCT	PP-R
	Supporto	Nylon PA6				PP-R
	Balls	Engineered Polymer				H-PLUS
Connections	FASTEC®-Threaded F.		TOP-ENTRY	H-PLUS	H-PLUS	H-PLUS
Working pressure	PN10 (10 bar)					
Temperature	0 °C + 95 °C					
Standard and certification	DIN EN 13828 (KTW-W270) DVGW W570-1					

FLOW LOSS DIAGRAM

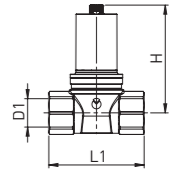


164 FLUSH-MOUNTING COCK

STRAIGHT THREADED VERSION



- PN10 (10 bar)
- 0 °C + 95 °C



Code	DN	D1 EN 10226	H	L1	SW	Pack
I4T3911100	15	RP 1/2"	70	63	27	30
I4T4911100	20	RP 3/4"	74	73	32	20
I4T5911100	25	RP 1"	86	83	41	5

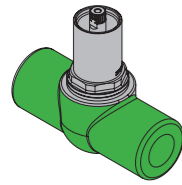
164 Flush-mounting shut-off cock

Top Entry shut-off valve with removable ball and full flow that complies with the DIN EN 13828 standard. Engineered polymer ball and Soft Turn anti-jamming seals. Complete with site protection cover. Cap accessories, lever or handle with 90 degree operation. Polished Chrome finish.

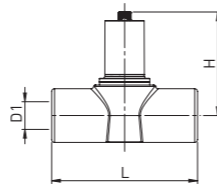
Temperature: 0°C + 95 °C
Working pressure: 10 bar.

164 PPR TOP-ENTRY COCK FOR PP-R PIPES

STRAIGHT PP-R VERSION

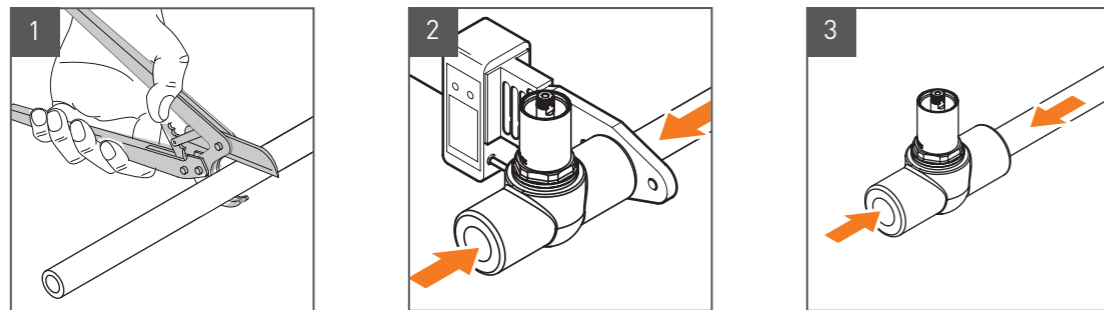


- PN10 (10 bar)
- 0-70 °C



Code	DN	Colour	D1	H	L1	Pack
I403981V00	15	●	ø20	70	101	20
I403982V00	15	●	ø25	70	101	20
I404981V00	20	●	ø32	74	121	5
I403981B00	15	●	ø20	70	101	20
I403982B00	15	●	ø25	70	101	20
I404981B00	20	●	ø32	74	121	5

THE TOP ENTRY PP-R SERIES OF COCKS IS COMPATIBLE WITH ALL PP-R PIPES (Polypropylene Random Copolymer) MANUFACTURED IN ACCORDANCE WITH THE EN ISO 15874 STANDARD



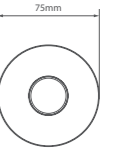
To make the connections quickly and correctly, it is essential to use tools that comply with the DVS2207 standards. The welding procedure must comply with the DVS2207 -2208 joint standards.

CERTIFICATIONS AND TECHNICAL SPECIFICATIONS

Working pressure	PN10 (10 bar)
Temperature	+70 °C
Body material	Brass CW 617
Ball material	Engineered Polymer
Coating material PP-R	Polypropylene Copolymer Random
Reference Certification	Both the valve and the moulded PP-R coating have received many certifications. The valve is certified compliant with DIN EN 13828. The PP-R coating is made and certified compliant with the product standards: EN ISO 15874 - DIN 8077/78 - DIN 16962

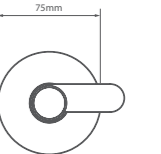
164 CONTROL ACCESSORIES

164 CHROME PLATED THREADED PLUG KIT



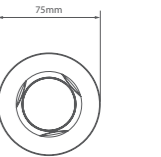
Code	Colour	Compatibility	Pack
KAI4010000	Polished chrome	164	10

164 CHROME PLATED LEVER KIT



Code	Colour	Compatibility	Pack
KAI4020000	Polished chrome	164	10

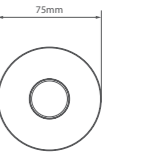
164 CHROME PLATED HANDLE KIT



Code	Colour	Compatibility	Pack
KAI4030000	Polished chrome	164	10

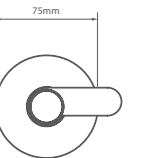
164 H-PLUS CONTROL ACCESSORIES

164 CHROME PLATED H-PLUS THREADED PLUG KIT +25mm



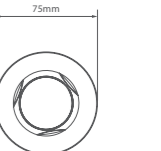
Code	Colour	Compatibility	Pack
KAI4011000	Polished chrome	164	10

164 CHROME PLATED H-PLUS LEVER KIT +25mm



Code	Colour	Compatibility	Pack
KAI4021000	Polished chrome	164	10

164 CHROME PLATED H-PLUS HANDLE KIT +25mm

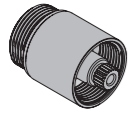


Code	Colour	Compatibility	Pack
KAI4031000	Polished chrome	164	10

164 WATER SHUT-OFF

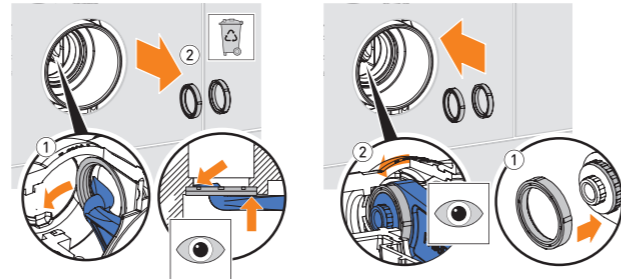
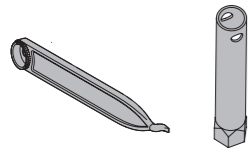
ACCESSORIES

EXTENSION FOR 164 1/2"-3/4"-1" COCK



Code	Compatibility	Pack
I4095000	164	20

SEAL MAINTENANCE TOOL KIT

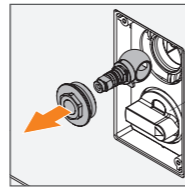
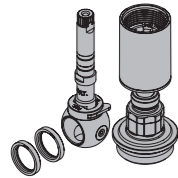


Code	Pack
KAI4990000	5

164 WATER SHUT-OFF VALVE

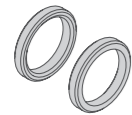
SPARE PARTS

TECO CONTROL



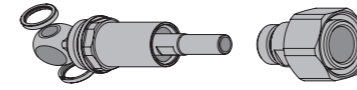
Code	DN	Key	Pack
I4099030GR	15	17	6
I4099040GR	20		4
I4099050GR	25	19	2

SEAL KIT



Code	DN	Pack
KRSEI415000	15	6
KRSEI420000	20	4
KRSEI425000	25	2

ADAPTER KIT FOR METER VALVES



Code	DN	Key	Compatibility	Pack
PR0013034004	15	30	SIMPLEX	1
PR0013034008	20	30	SIMPLEX	1

ADAPTER KIT FOR METER VALVES

