

FEATURES

- Flush-mounting sub-metering kit with shut-off valves.
- DN15 "Top Entry" valve with full flow, removable ball and "Soft Turn" anti-jamming technology, even after long periods of inactivity without the need for periodic activation.
- Valve with optional €100 electric actuator.
- For volumetric meters, Q_3 2.5 m³/h max.
- Pre-assembled in a serviceable sandwich box with knock-outs on all four sides.
- Design faceplate with magnetic closure, available in a range of finishes.
- Plumbing connection with FASTEC® quick coupling.
- Available with one or two pre-assembled volumetric meters, or alternatively with connection joint.
- Radio or cable communication modules (M-BUS or LoRaWan) available for remote metering.

Technical Specifications

Connections	Working pressure	Temperature	Standard and certification
FASTEC	PN10 (10 bar)	+5 °C ÷ 95 °C	DIN EN 13828 W570-1 KTW-BWGL

APPLICATIONS

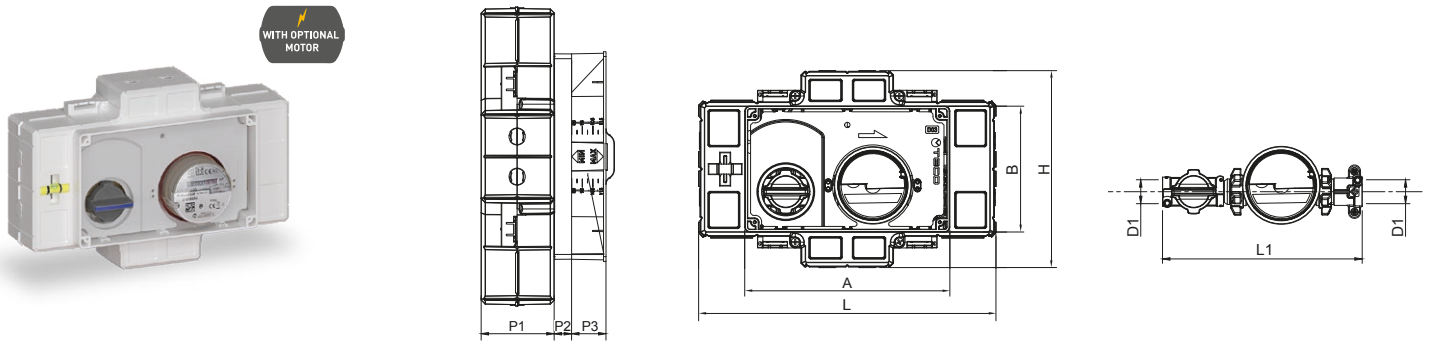
- For hot and cold drinking water.
- For measuring and monitoring submetering consumption.
- Suitable for installation in masonry and plasterboard constructions (**minimum thickness 100 mm**).



Material

Body	Ball	Ball seats	O-Ring	Handle	Box	Arrived at connection	Construction site protection cover
Hot Forged Brass CW617N	Technopolymer	VMQ	EPDM Perox 70 ShA	PA66 +15 GF (Polyamide)	PS (Plastic)	PA66 +30 GF (Polyamide)	PS (Plastic)

K4CC "MONO" flush-mounting sub-metering kit with single volumetric meter



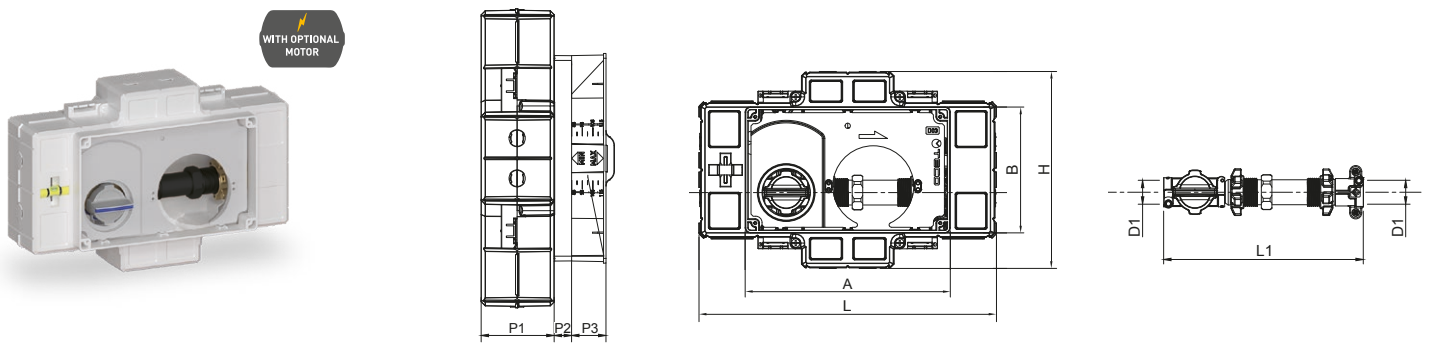
	Code	DN	Version	D1	L	H	L1	P1	P2	P3	A	B	Faceplate	Pack
F	K4CCDF10100	15	with 1 meter Q ₃ 2,5 m ³ /h	F13F	280	186	189	69	16.5	30	194	119	D03	5

Includes: 1 valve with removable ball and control and volumetric meter Q₃ 2,5 m³ / h
Non-return valve in the outlet fitting
 Box 280 x 186 x 69 mm, fixing brackets, construction site cover

Does not include: cover faceplate **D03**
 FASTEC® fittings
 €100 electric actuator
 Communication modules

- Optionally available with EVO M-Bus wireless radio meter module.
- Versions without non-return valve available on request.

K4CC "MONO" flush-mounting sub-metering kit with water meter spacer



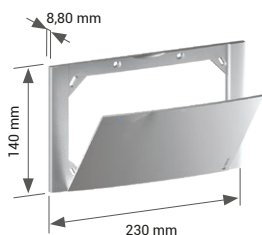
	Code	DN	Version	D1	L	H	L1	P1	P2	P3	A	B	Faceplate	Pack
F	K4CCDF10200	15	with 1 spacer tube L. 80 mm	F13F	280	186	189	69	16.5	30	194	119	D03	5

Includes: 1 valve with removable ball and spacer L. 80 mm
Non-return valve in the outlet fitting
 Box 280 x 186 x 69 mm, fixing brackets, construction site cover

Does not include: cover faceplate **D03**
 FASTEC® fittings
 €100 electric actuator

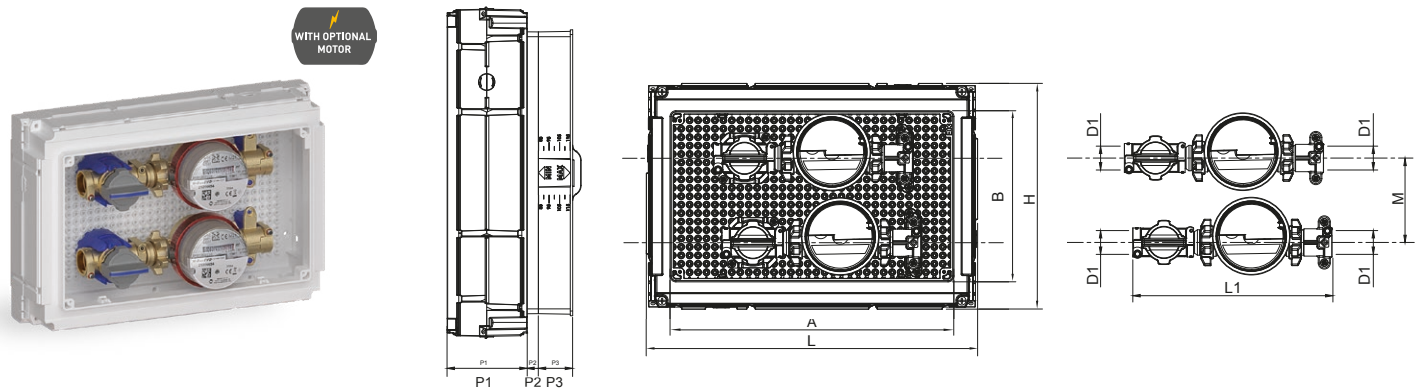
- Versions without non-return valve available on request.

FACEPLATES **D03**



Code	Finish	Pack
KPLD0301600	White	5
KPLD0301M00	Polished chrome	1
KPLD0301800	Silver	1
KPLD0301A00	Black Soft Touch	1

K4CC "DUO" flush-mounting sub-metering kit with two volumetric meters



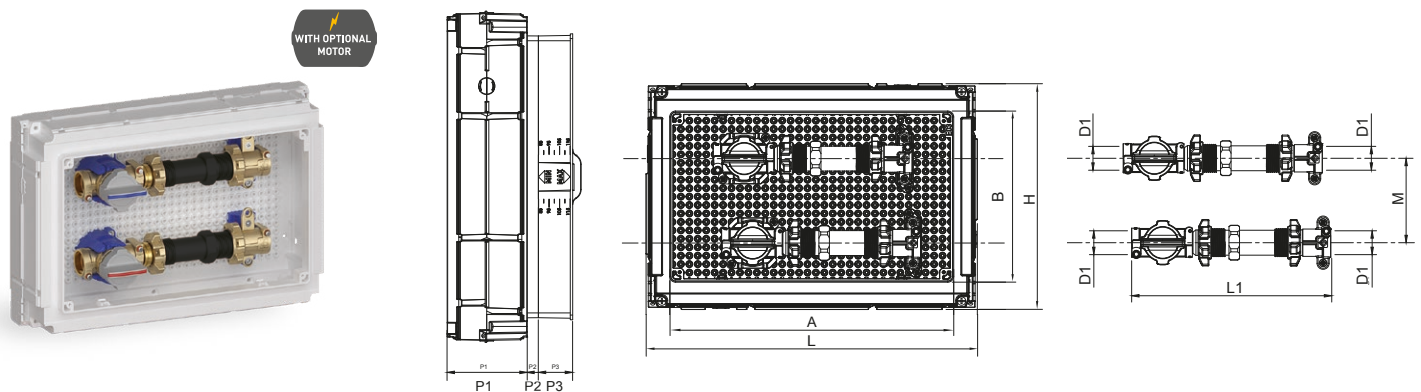
	Code	DN	Version	D1	L	H	L1	M	P1	P2	P3	A	B	Faceplate	Pack
F	K4CCF10100	15	with 2 meters Q ₃ 2,5 m ³ /h	F13F	310	210	189	80	76	10.5	30	267	160	E03	5

Includes: 2 valves with removable ball and 2 volumetric meters Q₃ 2,5 m³/h
Non-return valve in the outlet fitting
 Box 310 x 210 x 85 mm, fixing brackets, construction site cover

Does not include: cover faceplate **E03**
 FASTEC® fittings
 €100 electric actuator
 Communication modules

- i**
- Optionally available with EVO M-Bus wireless radio meter module.
 - Versions without non-return valve available on request.

K4CC "DUO" flush-mounting sub-metering kit with water meter spacer



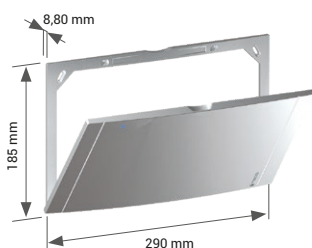
	Code	DN	Version	D1	L	H	L1	M	P1	P2	P3	A	B	Faceplate	Pack
F	K4CCF10200	15	with 2 spacer tubes L. 80 mm	F13F	310	210	189	80	76	10.5	30	267	160	E03	5
F	K4CCF10300	15	with 2 spacer tubes L. 110 mm	F13F	310	210	221	80	76	10.5	30	267	160	E03	5

Includes: 2 valves with removable ball and 2 spacers L. 80/110 mm
Non-return valve in the outlet fitting
 Box 310 x 210 x 85 mm, fixing brackets, construction site cover

Does not include: cover faceplate **E03**
 FASTEC® fittings
 €100 electric actuator

- i** Versions without non-return valve available on request.

FACEPLATES **E03**



Code	Finish	Pack
KPLE0301600	White	5
KPLE0301M00	Polished chrome	1
KPLE0301800	Silver	1
KPLE0301A00	Black Soft Touch	1

TECO Srl

Via Sandro Pertini, 39/41 - Zona industriale Noccole, 25050 Provaglio d'Iseo (BS)

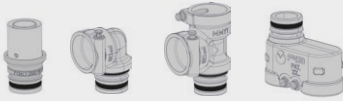
+39 030 6850510 | +39 030 6850555
 info@tecosrl.it | www.tecosrl.it

TECO
 INNOVATING SAFETY

OPERATION AND TECHNOLOGIES



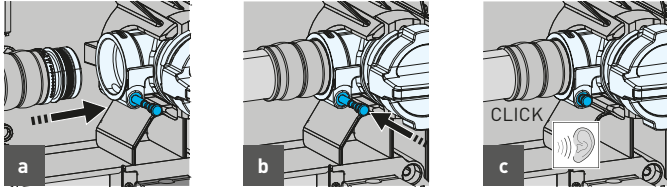
DISCOVER THE ENTIRE FASTEC RANGE



CONNECTION:

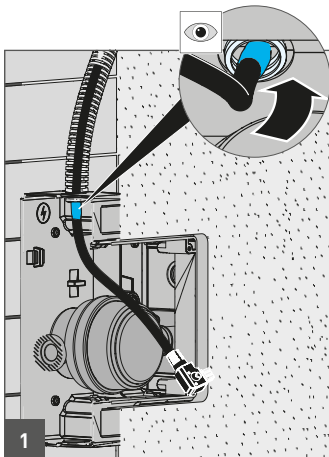
COMPARATIVE TABLE			
CONNECTIONS FASTEC	TRADITIONAL CONNECTIONS		
	DN	INCHES	MULTILAYER PIPE / PEX
F13	15	1/2"	Ø 12 - 16 - 20 - 25 - 26

FASTEC® CONNECTION

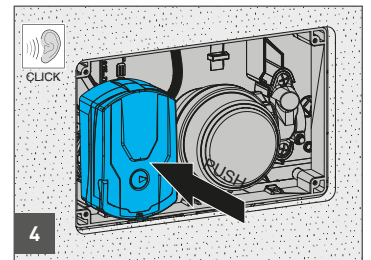
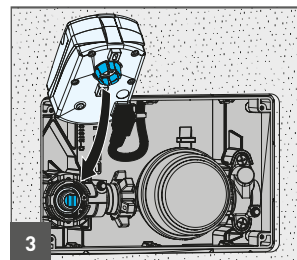
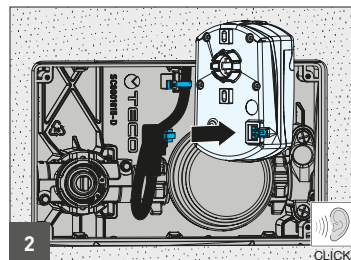


- a** Raise the pin and insert the fitting in the coupling seat.
- b** Lower the locking pin in order to complete the connection.
- c** The correct connection is confirmed by a CLICK. Once the pin is lowered, the FASTEC® connection ensures long-term sealing and does not require maintenance.

ELECTRIC ACTUATOR INSTALLATION €100



ATTENTION: during the installation of the valve, prepare the corrugated pipe in the box to make the valve remote-controlled.



ELECTRIC ACTUATOR €100 ON/OFF



Code	Voltage	Auxiliary microswitch position	Cable	Pack
E1045100	AC 110 ÷ 230 V 50-60 Hz	With valve closed	1.25 m cable with connector Molex Micro-Fit	1
E1046100	AC/DC 24 V 50-60 Hz			

ACCESSORIES



SJ EVO METER



Code	Description	DN	Pack
KA00CC0005	SJ EVO Meter - Q _v 2.5 m ³ /h -L. 80 - G 3/4" Suitable for operation with hot and cold water	15	1

COMMUNICATION MODULES *

EVO 868 MHz LoRaWAN Radio Module



Code	Pack
KA00CC0001	1

EVO 868 MHz Wireless M-Bus Radio Module



Code	Pack
KA00CC0002	1

EVO M-Bus Module



Code	Pack
KA00CC0003	1

Pulse Module EVO

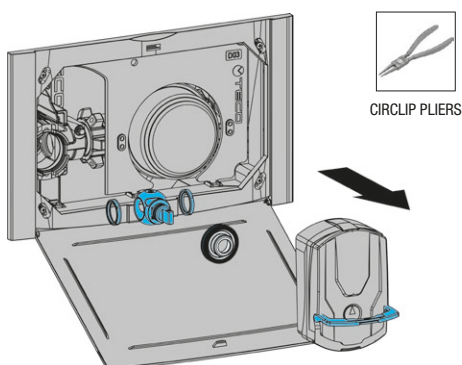


Code	Pack
KA00CC0004	1

* Check the box depths for installing the communication modules on the instruction sheet.

SPARE PARTS

VALVE MAINTENANCE TECO CONTROL E4



CIRCLIP PLIERS

Control handle extension (23 mm)



Code	Pack
KA00K00015	1

E4 Handle Kit



Code	Pack
KA00K40011	1

L. joint. 80 mm / L. 110 mm



Code	Compatibility	Pack
KA00CC0007	L. 80 mm	5
KA00CC0008	L. 110 mm	5

E4 TECO CONTROL Kit



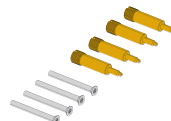
Code	DN	Pack
KRTCE415000	15	5

Maintenance faceplate kit



Code	Compatibility	Pack
KRPL0005	Faceplate D03	1
KRPL0006	Faceplate E03	1

Faceplate screw extension kit



Code	Pack
KR00K00004	10

K4CC MONO with meter - metering kit for sanitary water

Flush-mounting metering kit for domestic water with shut-off valve, "sub-motorisable", pre-assembled in box inspectable sandwich with pre-cut parts. "Top-Entry" shut-off ball valve with full bore, compliant with DIN EN 13828. Engineered polymer ball and anti-lock seals "Soft Turn". Fixing brackets, air bubble level and construction site protection cover included. Closing and opening by operating the handle. Compatible operating pin for the assembly of the ON-OFF electric actuator with auxiliary microswitch available in the version with opening indication or in the version with safety feedback of the successful closure of the valve. Single jet meter for residential use DN15 for hot or cold water (Length = 80 mm): ideal for domestic divisional applications (submeter). MID certificate (R max 160) with optional predisposition for reed switch or static pulse emitter. It supports various installation positions and has high protection from external magnetic fields. It is equipped with a 360° rotatable clock and is available equipped with a radio communication module or cable. The fixing rings for connection to the meter are made with a specific design for maintenance using a common 8 mm wrench. Supply of DN20 - 3/4" seals dedicated for the meter.

K4CC MONO without meter - metering kit for sanitary water

Flush-mounting metering kit for domestic water with shut-off valve, "sub-motorisable", pre-assembled in box inspectable sandwich with pre-cut parts. "Top-Entry" shut-off ball valve with full bore, compliant with DIN EN 13828. Engineered polymer ball and anti-lock "Soft Turn" seals. Fixing brackets, air bubble level and construction site protection cover included. Closing and opening by operating the handle. Compatible operating pin for the assembly of the ON-OFF electric actuator with auxiliary microswitch available in the version with opening indication or in the version with safety feedback of the successful closure of the valve. Spacer (Length = 80 mm). The fixing rings for connection to the meter are made with a specific design for maintenance using a common 8 mm wrench. Equipped with DN20 - 3/4" seals for the installation of the meter.

K4CC DUO with meters - metering kit for sanitary water

Metering kit, compact built-in, for sanitary water with shut-off valves, "sub-motorisable", pre-assembled in a sandwich box inspectable with pre-cut parts. "Top-Entry" shut-off ball valves with full bore, compliant with DIN EN 13828. Engineered polymer ball and anti-lock seals "Soft Turn". Fixing brackets, air bubble level and construction site protection cover included. Closing and opening by operating the handle. Compatible operating pin for the assembly of the ON-OFF electric actuator with auxiliary microswitch available in the version with opening indication or in the version with safety feedback of the successful closure of the valve. Single-jet meters for residential use DN15 for hot and cold water (Length = 80 mm): ideal for domestic divisional applications (submeter). MID certificate (R max 160) with optional predisposition for reed switch or static pulse emitter. It supports various installation positions and has high protection from external magnetic fields. It is equipped with a 360° rotatable clock and is available equipped with a radio communication module or cable. The fixing rings for connection to the meter are made with a specific design for maintenance using a common 8 mm wrench. Supply of DN20 - 3/4" seals dedicated for the meter.

K4CC DUO without meter - Compact built-in accounting kit for motorisable sanitary water

Metering kit, compact for recessed installation, for sanitary water with "motorisable" shut-off valves pre-assembled in a sandwich box inspectable with pre-cut parts. "Top-Entry" shut-off ball valves with full bore, compliant with DIN EN 13828. Engineered polymer ball and anti-lock "Soft Turn" seals. Fixing brackets, air bubble level and construction site protection cover included. Closing and opening by operating the handle. Compatible operating pin for the assembly of the ON-OFF electric actuator with auxiliary microswitch available in the version with opening indication or in the version with safety feedback of the successful closure of the valve. Spacer (Length = 80 mm / 110 mm). The fixing rings for connection to the meter are made with a specific design for maintenance using a common 8 mm wrench. Equipped with DN20 - 3/4" seals for the installation of the meter.