

R2

VALVES FOR GAS HOSES WITH QUICK CONNECTION VERSION WITH FRONT CONTROL

Data sheet
MCTW006.00 - 05/2019



- R2 is the shut-off valve with front safety control.
- The bayonet connection allows the hose to be connected and disconnected safely; the hose will not couple if the valve is not closed.
- The valve does not open if the hose is not coupled correctly.
- Since 1992, TECO manufactures valves with this safety technology [DIN3383].
- Equipped with the FIREBAG® safety system.



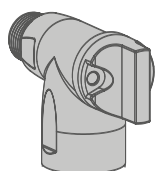
TECHNICAL SPECIFICATIONS - VALVE R2

Reference standards	Pressure	Temperature	High temperature resistance	Application
R2: DIN EN 15069: 2008 - DIN 3586 R2L: DIN 33834 DIN 3586	MOP 0.5 (0,5 bar)	-20 °C +60 °C	HTB 650°C for 30' (GT 0.5 EN 1775)	For all types of gas as specified in EN 437 and DVGW G260/1 (Methane, Butane, Propane)

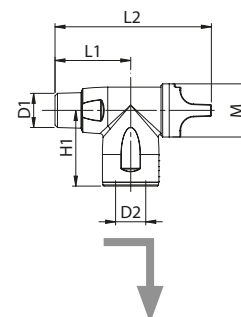
Material					
Body	Finish	Balls	Seats	Handle	Thermal device
Brass CW617	Polished Chrome	Brass CW617N	NBR 70 Sh	Yellow Polyamide	FIREBAG®

VERSIONS AND CODES

DIN-EN15069 90° valve
For DIN-EN14800 hoses

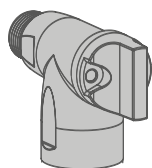


HTB 650 °C for 30' (GT 0.5 EN 1775)

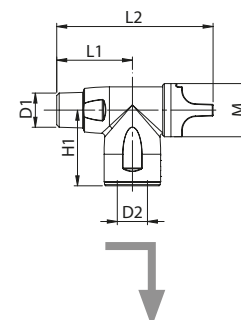


Code	DN	FIREBAG® TAE	Finish	D1 EN 10226-1	D2	M	L1	L2	H1	Pack
R221100100	12	•	Polished chrome	R1/2"	DIN 3383-1	32	45	94	45	20

R2L DIN 3383-4 90° valve for laboratory use
For DIN 30664-T4 hoses



HTB 650 °C for 30' (GT 0.5 EN 1775)



Code	DN	FIREBAG® TAE	Finish	D1	D2	M	L1	L2	H1	Pack
R221100200	12	•	Polished chrome	R1/2"	DIN 3383-4	32	45	94	45	20

TECO Srl
Via Sandro Pertini, 39/41 - Zona industriale Noccole, 25050 Provaglio d'Iseo (BS)

+39 030 6850510 | +39 030 6850555
info@tecosrl.it | www.tecosrl.it

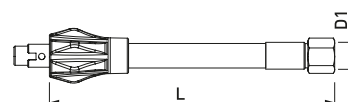
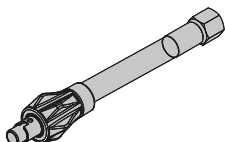


TECHNICAL SPECIFICATIONS - RTD HOSE

Reference standards	Pressure	Inlet: Bayonet quick coupling	Outlet	Internal hose	Protective sheath
DIN-EN 14800:2007	MOP 0.5 (0,5 bar)	DIN EN 15069	Threaded to EN 10226-1	Stainless steel AISI 316	Transparent PVC

Material					
Hose	Quick coupling	Nut	Mesh	Protective sheath	Seal
Stainless steel AISI 321	Handle in Polypropilen, insert Brass	Stainless steel	Stainless steel AISI 304	Fireproof PVC, yellow color	Nitril rubber EN 549

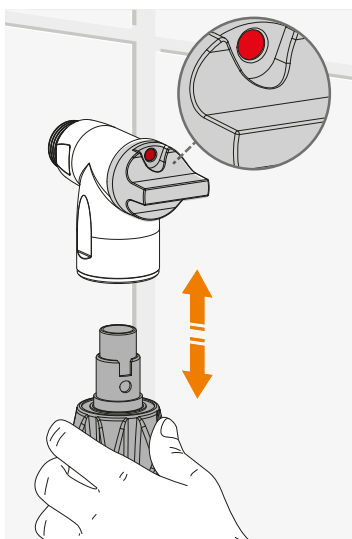
RTD hose
DIN-EN14800 hose



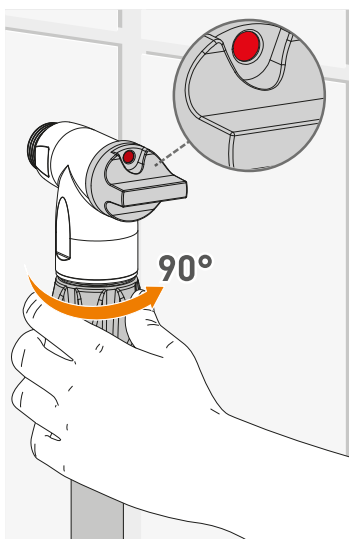
Code	D1	D2	L _{mm}	Pack
R4TD0500	Rp1/2"	DIN 3383-1	500	1
R4TD0800	Rp1/2"	DIN 3383-1	750	1
R4TD1000	Rp1/2"	DIN 3383-1	1000	1
R4TD1250	Rp1/2"	DIN 3383-1	1250	1
R4TD1500	Rp1/2"	DIN 3383-1	1500	1
R4TD2000	Rp1/2"	DIN 3383-1	2000	1

OPERATION AND TECHNOLOGIES

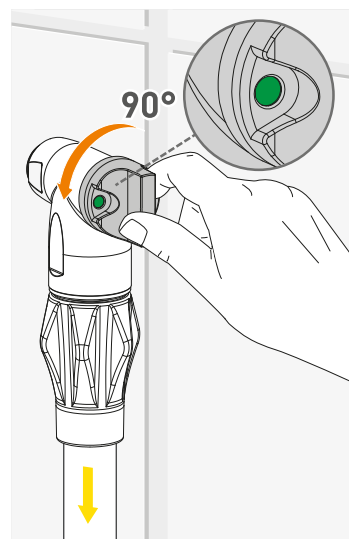
SAFE CONNECTION



Hose insertion is **QUICK** and **SAFE**. The hose can only be disconnected when the valve is closed.



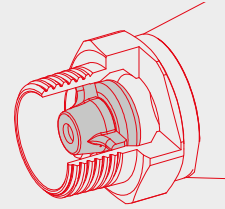
Turning the hose handle by 90° clamps it to the valve. The valve can only be opened in this position.



The valves is opened and closed using the control handle on the front.

FIREBAG® - TAE

The valve has a thermal FIREBAG® safety device built into the steel inlet fitting. The FIREBAG® is built in accordance with the **DIN 3586** standard. It activates at a temperature of **100°C -5K** and withstands up to **650°C for 30'** at a pressure of **0.5 bar**.



ITEM SPECIFICATIONS

R2: Valves for gas appliances with bayonet hose connections - handle version

EN331 DVGW certified ball shut-off valve for gas, with front safety control. DIN3383 quick bayonet connection, compatible with EN14800 hoses. Handle with open/closed indicator with locking system to ensure correct hose coupling. Equipped with the FIREBAG® safety system.

