



FEATURES

- **Compact flush-mounting domestic water distribution manifold kit.**
- Shut-off valves on the individual outlets.
- DN10 "Top Entry" valve with removable ball and "Soft Turn" anti-jamming technology, even after long periods of inactivity without the need for periodic activation.
- Different configurations **up to 7 cold water + 6 hot water outlets.**
- **Pre-assembled in a serviceable sandwich box** with knock-outs on all four sides.
- **Design faceplate with magnetic closure** available in a range of finishes.
- Identification of utilities with stickers to be applied to the control handle or inside the faceplate.
- **FASTEC®** Fast system connections.

Technical Specifications

Connections	Working pressure	Working Temperature	Standard and certification
FASTEC	PN10 (10 bar)	+65 °C + (90 °C x60') MAX 95 °C	DIN EN 13828 W570-1 KTW-BWGL



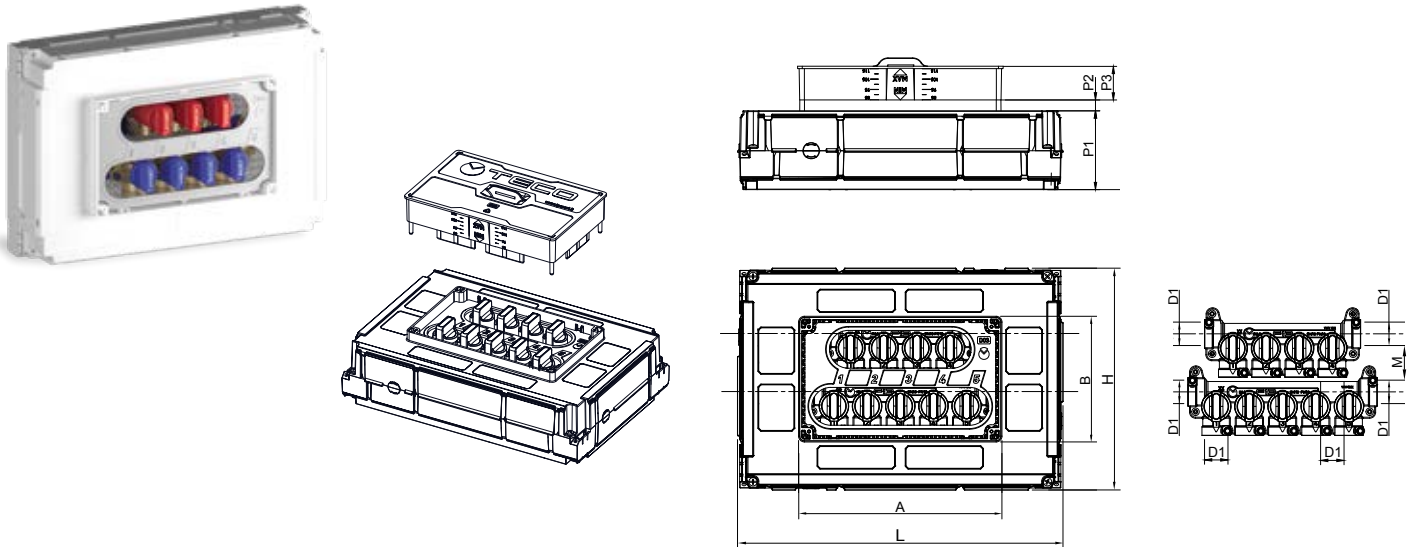
APPLICATIONS

- For hot and cold drinking water.
- For cooling and heating water with or without antifreeze.
- Suitable for installation in masonry and plasterboard constructions (**minimum thickness 100 mm**).

Material

Body	Ball	Ball seats	O-Ring	Handle	Box	Site protection cover
Hot Forged Brass CW617N sandblasted steel	Technopolymer	VMQ	EPDM Perox 70 ShA	PA66 (Polyamide) BLUE and RED colours	PS (Polystyrene)	PS (Polystyrene)

K4.3 flush-mounting multiple shut-off domestic manifold kit with 4+3 and 5+4 outlet

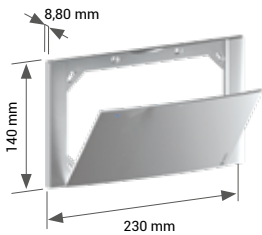


	Code	DN	DN inter.	Version	D1	M	M1	L	H	P1	P2	P3	A	B	Faceplate	Pack
F	K403DF10200	15	10	4+3	F13F	56	32	310	210	76	10.5	32.5	194	119	D03	5
F	K403DF10100	15	10	5+4	F13F	56	32	310	210	76	10.5	32.5	194	119	D03	5

Includes: 2 DN15 manifolds with DN10 individual shut-off valves
 Box 310 x 210 x 85 mm
 Fixing brackets
 Site protection cover
 Stickers for utility identification

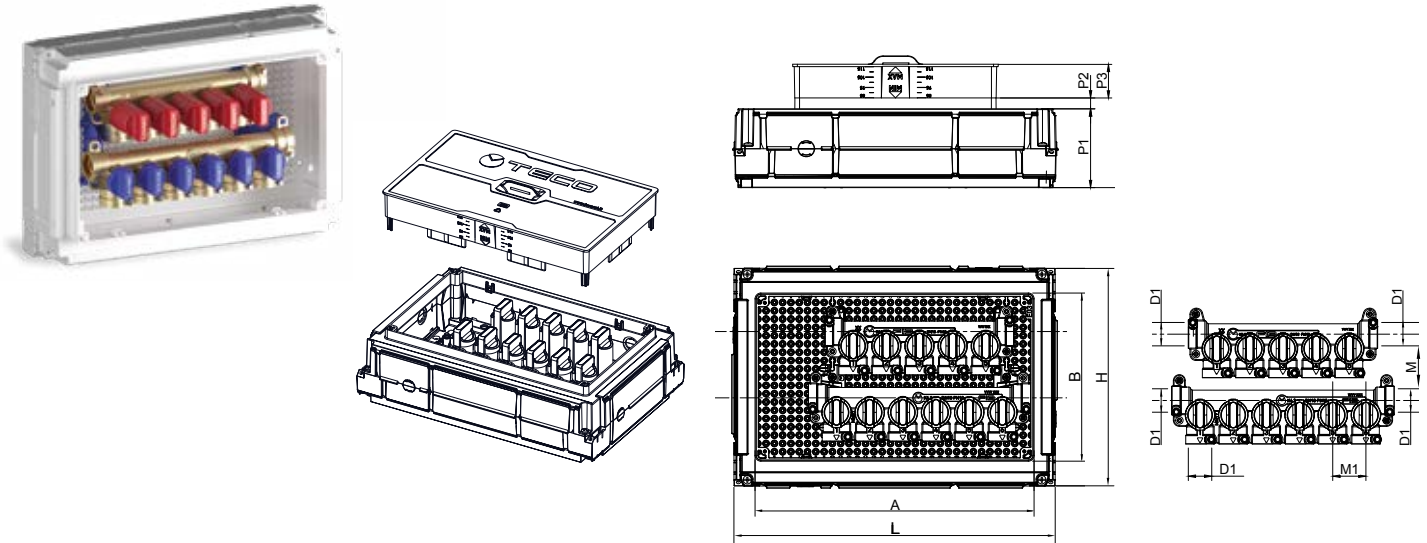
Does not include: Cover flap **D03**
 FASTEC® Fittings

FACEPLATES **D03**



Code	Finish	Pack
KPLD0301600	White	5
KPLD0301M00	Polished chrome	1
KPLD0301800	Silver	1
KPLD0301A00	Black Soft Touch	1

K4.3 flush-mounting multiple shut-off domestic manifold kit with 5+4 and 6+5 outlets



	Code	DN	DN inter.	Version	D1	M	M1	L	H	P1	P2	P3	A	B	Faceplate	Pack
F	K403EF10300	15	10	5+4	F13F	64	32	310	210	76	10.5	32.5	267	160	E03	5
F	K403EF10100	15	10	6+5	F13F	64	32	310	210	76	10.5	32.5	267	160	E03	5

Includes: 2 DN15 manifolds with DN10 individual shut-off valves
 Box 310 x 210 x 85 mm
 Fixing brackets
 Site protection cover
 Stickers for utility identification

Does not include: Cover flap **E03**
 FASTEC® Fittings

FACEPLATES **E03**



Code	Finish	Pack
KPLE0301600	White	5
KPLE0301M00	Polished chrome	1
KPLE0301800	Silver	1
KPLE0301A00	Black Soft Touch	1

OPERATION AND TECHNOLOGIES



The shut-off devices
USE FASTEC STORE FITTINGS.

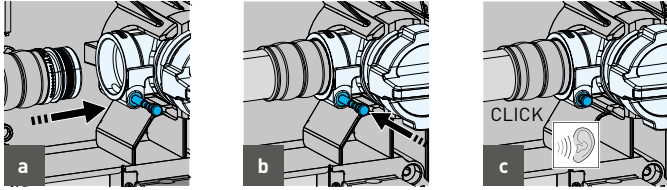


GO TO THE WHOLE
FASTEC RANGE

CONNECTION:

COMPARATIVE TABLE			
CONNECTIONS FASTEC	TRADITIONAL CONNECTIONS		
	DN	INCHES	MULTILAYER PIPE / PEX
F13	15	1/2"	Ø 12 - 16 - 20 - 25 - 26

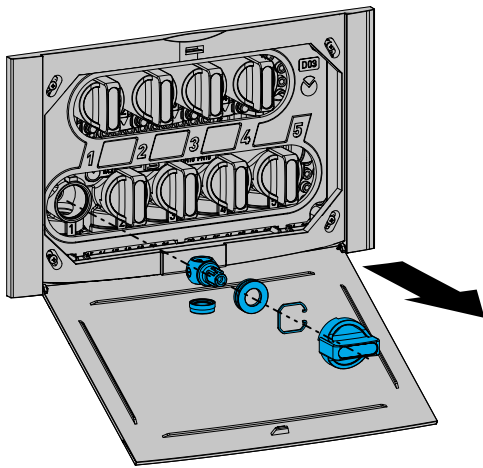
FASTEC® CONNECTION



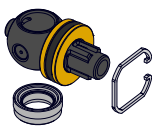
- a** Raise the pin and insert the fitting into the attachment.
- b** Lower the locking pin in order to complete the connection.
- c** The correct connection is confirmed by a **CLICK**. Once the pin is lowered, the FASTEC® connection ensures long-term sealing and does not require maintenance.

SPARE PARTS

MAINTENANCE TECO CONTROL C4 VALVE

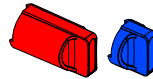


TECO CONTROL C4 Replacement Kit



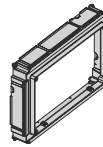
Code	DN	Pack
KR00K00002	10	5

Replacement handle kit



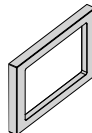
Code	Pack
KR00K00004	1

Upper Box kit for installation of the E03 faceplate (290 x 185 mm)



Code	Pack
KR00K00003	1

Maintenance faceplate kit



Code	Compatibility	Dimensions	Pack
KRPL0005	Faceplate D03	230 x 140 x 15 mm	1
KRPL0006	Faceplate E03	290 x 185 x 15 mm	1

Faceplate screw extension kit

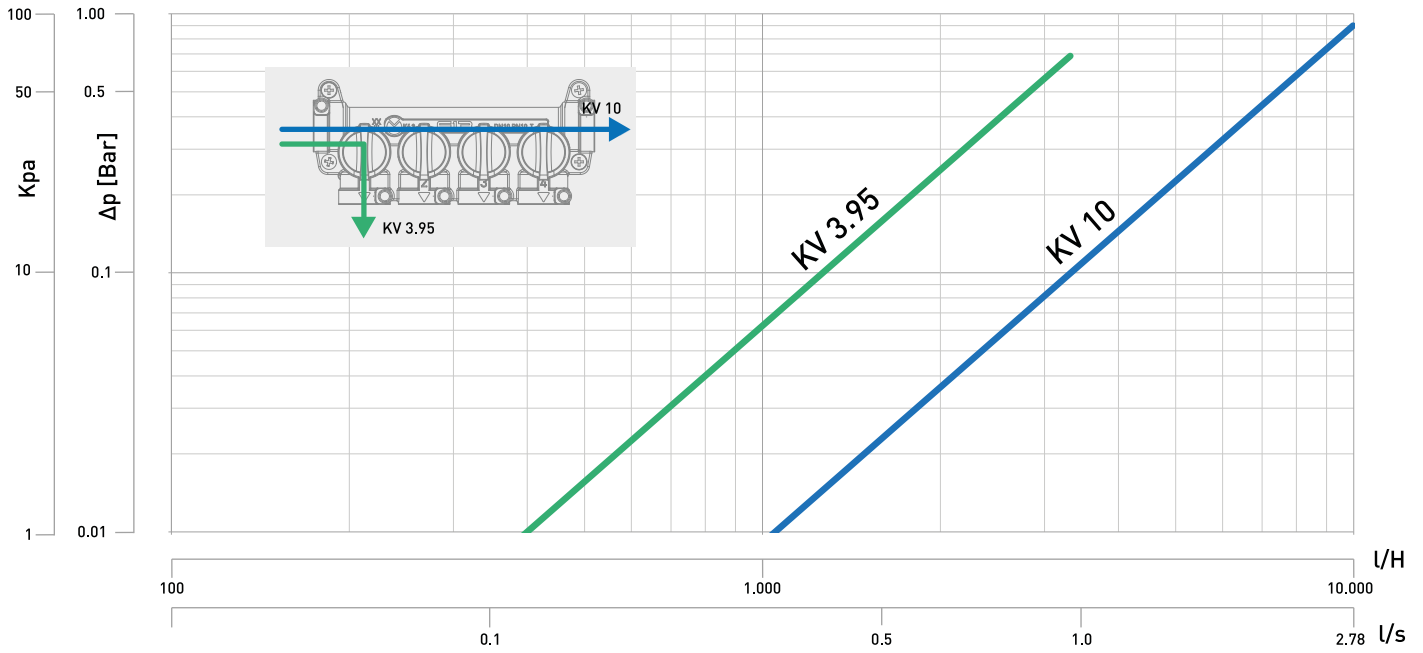


Code	Pack
KR00K00004	10

TECO Srl
Via Sandro Pertini, 39/41 - Noccole Industrial Area, 25050 Provaglio d'Iseo (BS)

+39 030 6850510 | +39 030 6850555
info@tecosrl.it | www.tecosrl.it





SPECIFICATION TEXT

K4.3: flush-mounting multiple shut-off domestic manifold kit with 4+3 and 5+4 outlets

Compact sanitary distribution manifold kit preassembled: 5 cold outlets + 4 hot (K403DF10100) or 4 cold outlets + 3 hot (K403DF10200), Body in brass with removable "Top Entry" shut-off groups at each outlet compliant with UNI EN 13828 standard with "Soft Turn" seals, PPSU balls with full passage. Quick-release Connections with FASTEC F13 technology with anti-withdrawal locking Pin. Box sandwich container in shockproof PS with pre-scored walls on all four sides and plaster protection element. Faceplate D03 with manually openable magnetic door available in four finishes. Maximum temperature (peak) 90 °C for 60'. Maximum operating temperature +65 °C. Maximum pressure PN10 (10 bar).

K4.3: Recessed multi-interception sanitary manifold kit with 5+4 and 6+5 outlets

Compact sanitary distribution manifold kit preassembled: 5 cold + 4 hot outlets (K403EF10300) and 6 cold + 5 hot (K403EF10100) body in brass with removable "Top Entry" shut-off groups at each outlet compliant with UNI EN 13828 standard with "Soft Turn" seals, PPSU balls with full passage. Quick-release Connections with FASTEC F13 technology with anti-withdrawal locking Pin. Box sandwich container in shockproof PS with pre-scored walls on all four sides and plaster protection element. Faceplate E03 with manually openable magnetic door available in four finishes. Maximum temperature (peak) 90 °C for 60'. Maximum operating temperature +65 °C. Maximum pressure PN10 (10 bar).